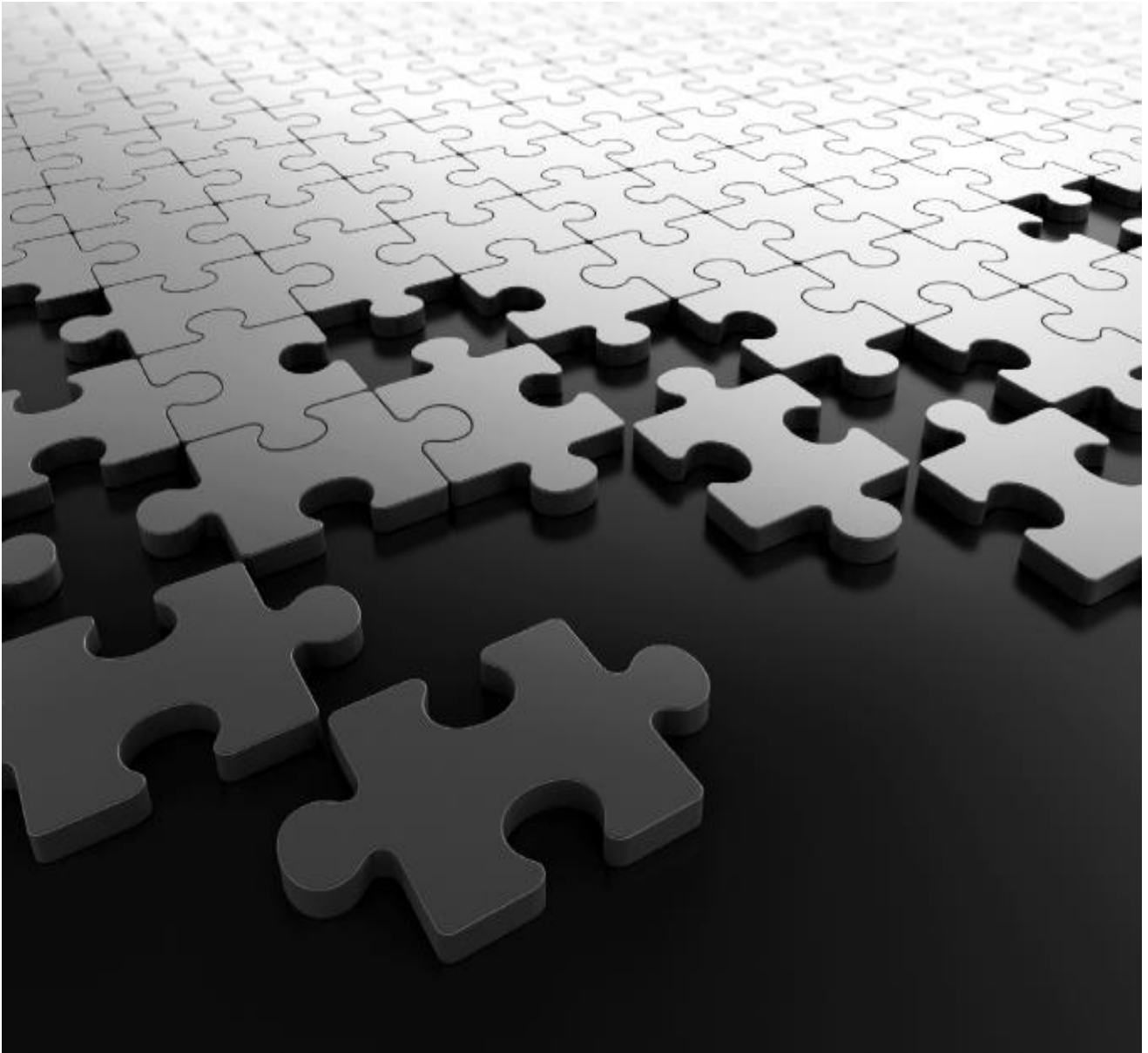


SATATYA PZCR50ML42CWP

Installation Guide



Documentation Disclaimer

Please read this guide first for correct installation and retain it for future reference. The information in this guide is prevailing at the time of publication. However, Matrix Comsec reserves the right to make changes in product design and specifications without prior notice.

Warranty

For product registration and warranty related details visit us at:
<http://www.matrixcomsec.com/product-registration-form.html>

Copyright

All rights reserved. No part of this Quick Installation Guide may be copied or reproduced in any form or by any means without the prior written consent of Matrix Comsec.

Release date: August 29, 2023 9:23 AM

Table of Content

1.	Package Contents	4
2.	Cautions	4
3.	System Requirements	4
4.	Hardware Overview	5
	4.1 PTZ Camera with 5MP 42X Optical Zoom	5
	4.2 B41 Wall Mount Bracket	6
5.	Camera Dimensions	7
6.	Things you will need	8
7.	Hardware Installation	8
	7.1 PTZ Camera with 5MP 42X Optical Zoom	8
	7.2 Adjusting the Camera Angle	10
	7.3 Wiring Details	10
	7.4 How to Connect to Alarm Interface	11
	7.5 How to Connect the Water-proof Connector	12
8.	Recommended method of outdoor installation	13
9.	Hardware Reset.....	14
10.	Accessing the SATATYA Network Camera.....	15
	10.1 Assigning an IP Address	15
	10.2 Accessing from the Web Browser	17
11.	Technical Specification.....	20
12.	Certifications.....	23
13.	Disposal	24

Thank you for purchasing SATATYA Network Camera. This Guide provides basic instructions on installing and accessing SATATYA Network Camera. For more details, please refer to the System Manual.

1. Package Contents

Before installation, please verify that all the necessary items are supplied in the box as the package contents listed below. If any item is missing or damaged, please contact Matrix sales representative.

Items		Quantity	Description
Default	SATATYA Network Camera	1 PC	
	Power Adapter	1 PC	DC 24V (optional)
	Bracket& Screw Pack		If purchased

Note:

The Ceiling Mounting Template and other Ceiling Mounting accessories like Pendant Pipe will not be provided by Matrix.

2. Cautions

- Do not expose the product to rain or moisture
- Make sure the device is firmly fixed when mounting them on the wall or ceiling
- Make sure that the power supply voltage is correct before using the camera
- Never attempt to disassemble or modify the camera

3. System Requirements

Operating System: Windows XP/Vista/7/8/10/Server 2000/Server 2008

CPU: 1.66GHz or higher

RAM: 1G or higher

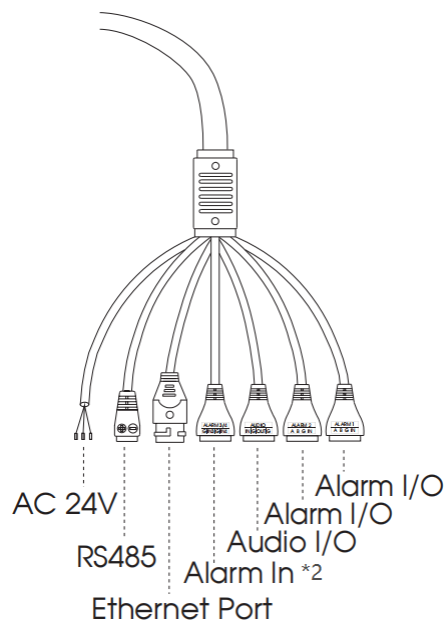
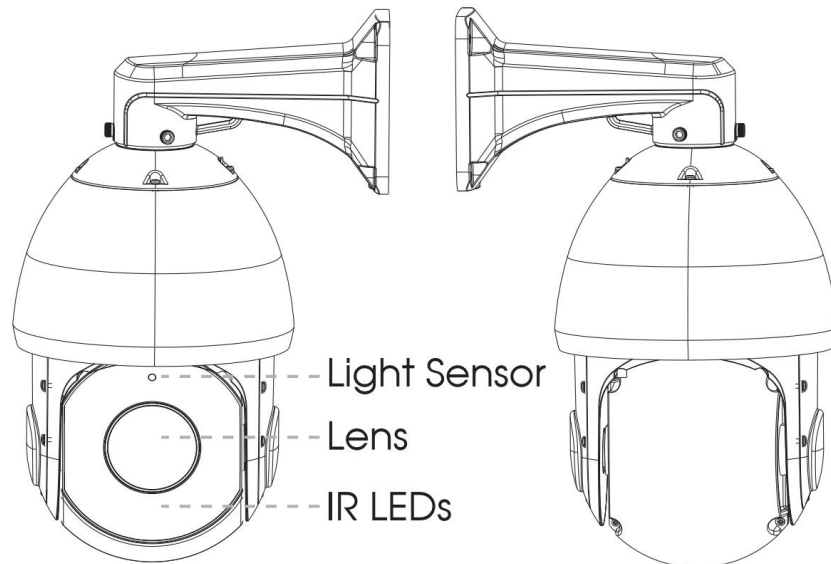
Graphic memory: 128MB or more

Internet protocol: TCP/IP (IPv4/IPv6)

Web Browsers: Internet Explorer 8.0 and above version, Mozilla Firefox, Google Chrome and Safari

4. Hardware Overview

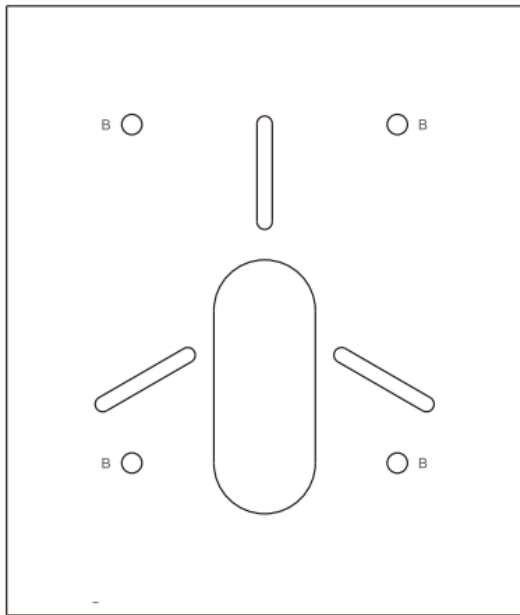
4.1 PTZ Camera with 5MP 42X Optical Zoom



Note:

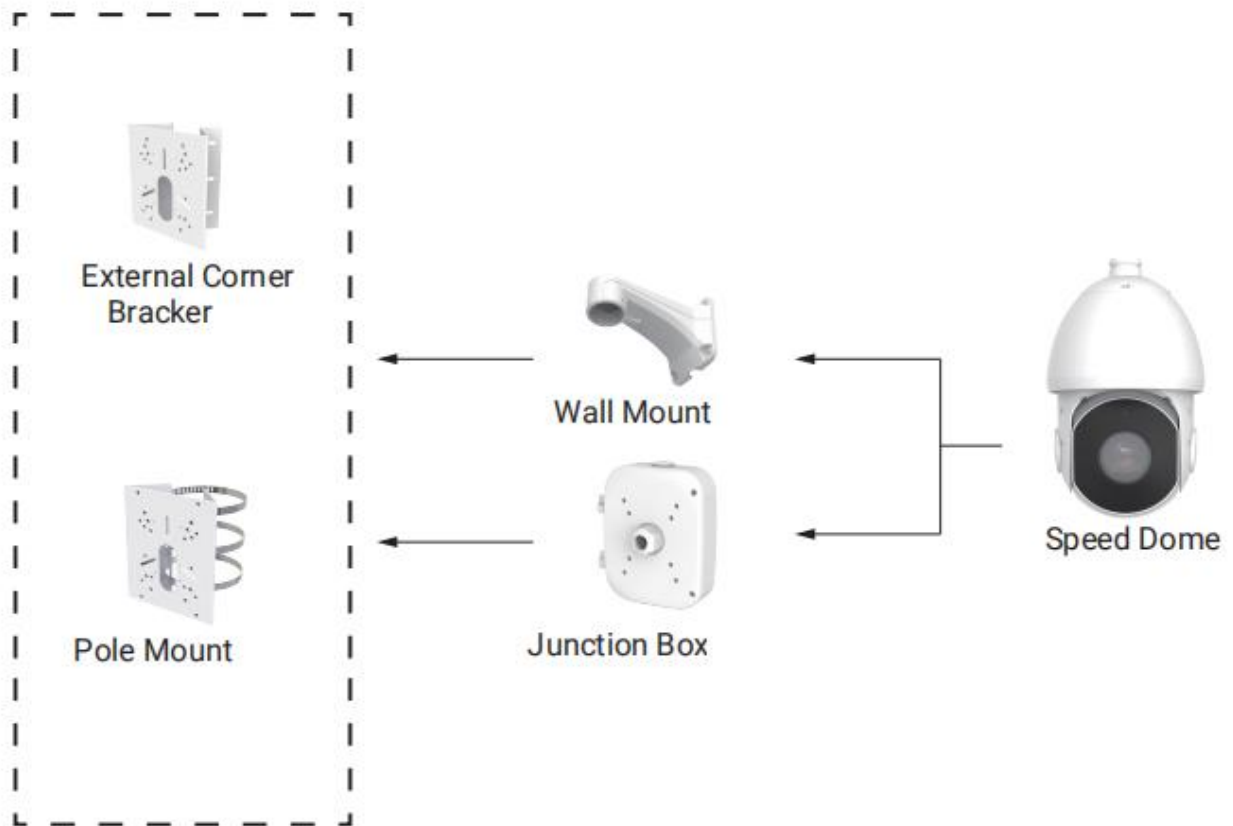
- 1) PoE and AC 24V is available for PTZ Camera power supply.
- 2) Built-in SD card slot can be seen after removing the 4 screws and open the front panel;

4.2 A41 Wall Mount Bracket



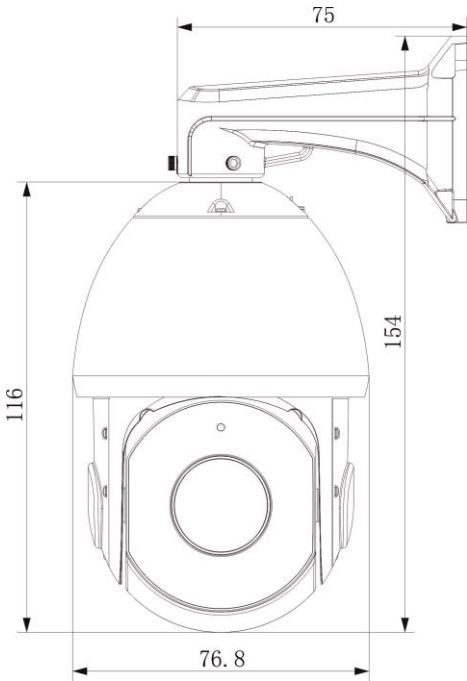
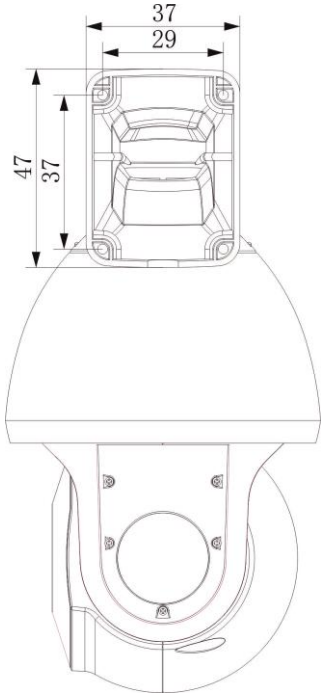
B: A41

Accessories Map*



Note: External Corner Bracket, Pole Mount and Junction Box are accessories that can be used according to your installation scenario but are not provided by Matrix.

5. Camera Dimensions



6. Things you will need

- A Power Drill, Screwdriver Set, Pliers, Wire-cutter, Ladder.
- Necessary Cabling
- A Power Supply with the recommended output voltage of 24V DC. Use an Adapter to connect the camera to the power outlet (optional, not supplied by Matrix).

7. Hardware Installation

For 5MP 42X Speed Dome Network camera, please mount it in a forward-facing position for more accurate IVA function.

Recommendations:

1. Use a UL listed power supply unit marked “Class 2” or “LPS” or “PS2” and rated 12VDC, 2A min.
2. Make sure the wired LAN hub providing Power over the Ethernet (PoE) is in accordance with IEEE 802-3af, shall be a UL listed device with the output evaluated as a limited power source as defined in UL60950-1 or PS2 as defined in UL62368-1.

Installation Methods

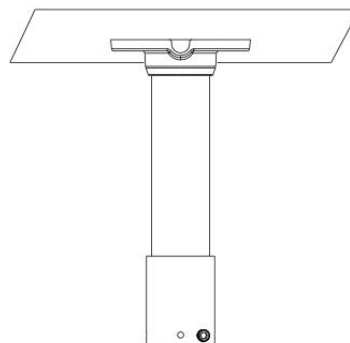
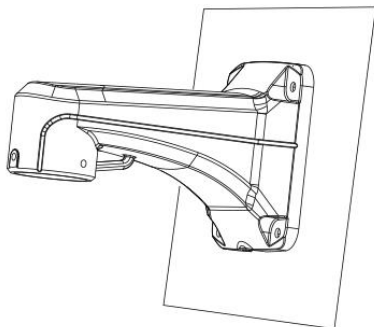
- Wall Mount
- Ceiling Mount (the accessories are not provided by Matrix for this installation scenario)

7.1 PTZ Camera with 5MP 42X Optical Zoom

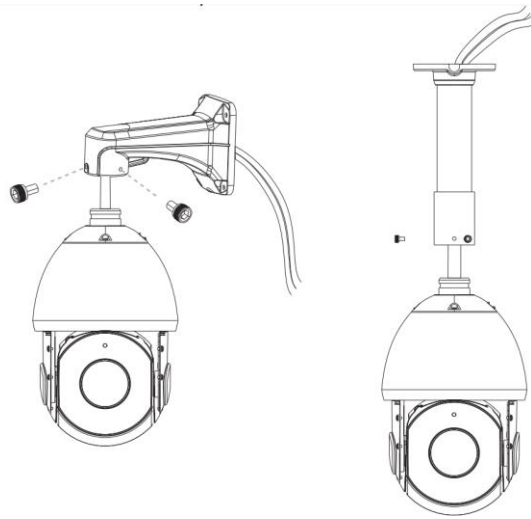
Step1: Check the wall or ceiling condition. Ensure that there is sufficient strength to avoid flaking.

It should be able to bear the weight eight times larger than the camera’ s;

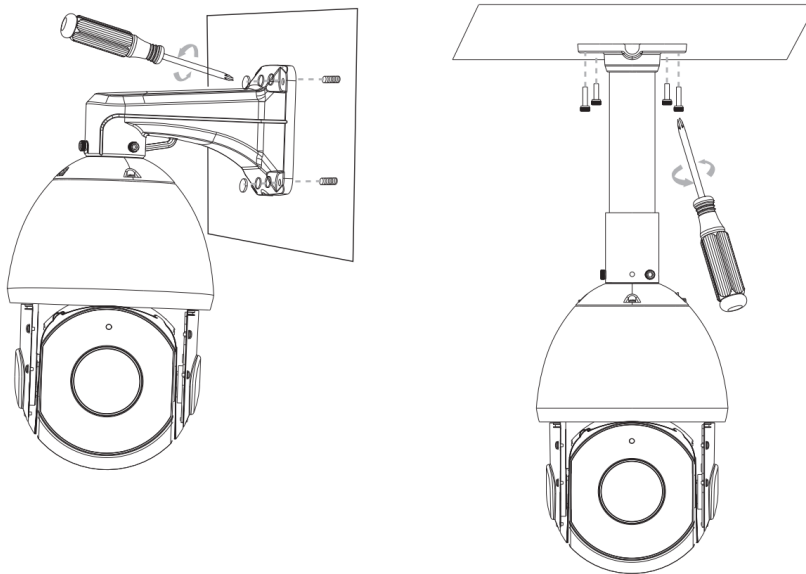
Step2: Use the wall or ceiling hanging holder to mark the holes. Drill 4 holes on the wall or ceiling;



Step3: Put the cables through the holder. Match the holder with the screw holes of the camera body and secure them;



Step4: Make sure that the camera body has been correctly installed to the holder, and match the holder to the holes on the wall or ceiling, then tighten up the screws.



7.2 Adjusting the Camera Angle

Camera angle can be adjusted via PAN Movement and Tilt Movement, refer to the table below for PAN and Tilt Movement Range.

Parameter Name	PZCR50ML42CWP
PAN Range	360 degree endless
PAN Speed	Manual: 0.1°~400°/s Preset: 400°/s
Tilt Range	0°~90°(Auto Flip)
Tilt Speed	Manual: 0.1°~320°/s Preset: 320°/s

7.3 Wiring Details

1. AC 24V Cable: It is used for power supply.

3. Ethernet Port: It is used to connect the camera to the computer host or other network equipment. When connecting the network cable, it is recommended that the network cable should not be more than 100m long. Also used when you need to provide power to the Camera using PoE.

4. Audio Input/ Output Cable: You can connect the Audio Input device such as Mic to the Audio Input cable of the camera. The audio when enabled will be recorded with the video and will be available at the monitoring location. You may connect the Audio Output device such as Earphone or Speaker to the Audio Output cable of the camera. This will generate audio received from the network.

5. Alarm IN Cable: To detect alarm events you can connect a sensor device to the Alarm IN cable of the camera.

6. Alarm OUT Cable: To get alerts on alarm you can connect the alarm sounding device such as Hooter or Siren to the Alarm OUT cable of the camera.

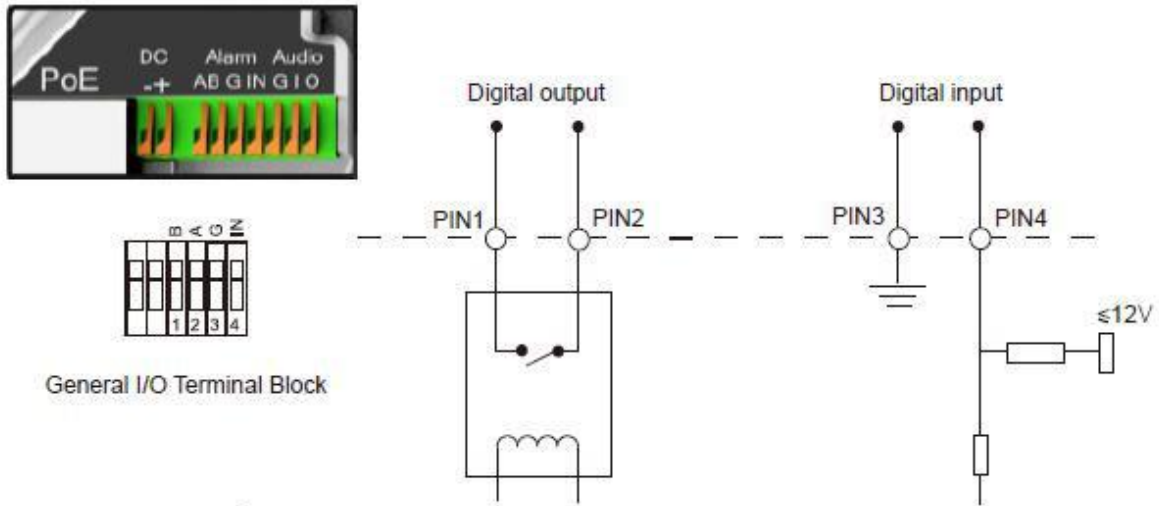
Note:

If devices such as Mic and Speaker are connected to Audio IN and Audio OUT, you may need to connect an external power source if their power requirements are not fulfilled with the camera adapter.

If devices such as Sensor and small Buzzers are connected to Alarm IN and Alarm OUT, you may need to connect an external power source if their power requirements are not fulfilled with the camera adapter.

7.4 How to Connect to Alarm Interface

External interface of camera is as the following, you can refer to the picture to install the external alarm device:



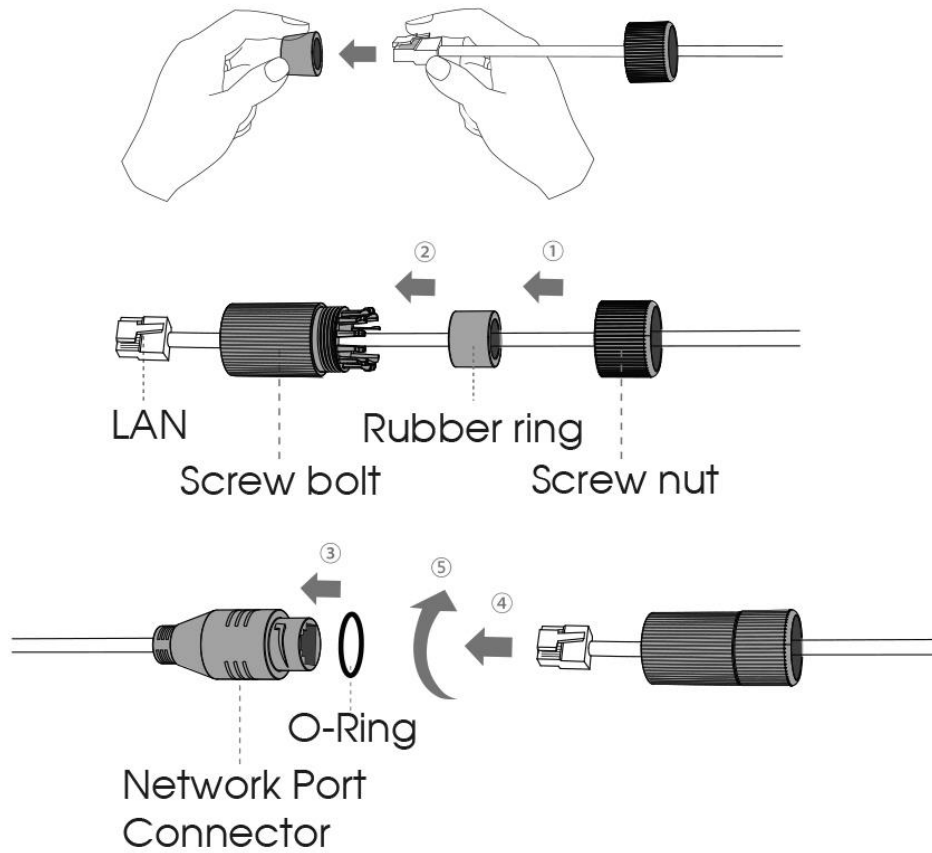
PIN1: Alarm Output NC/NO 24V DC 1A

PIN2: Alarm Output NC/NO 24V DC 1A

PIN3: Alarm Input NC/NO $\leq 12V$

PIN4: Alarm Input NC/NO $\leq 12V$

7.5 How to Connect the Water-proof Connector



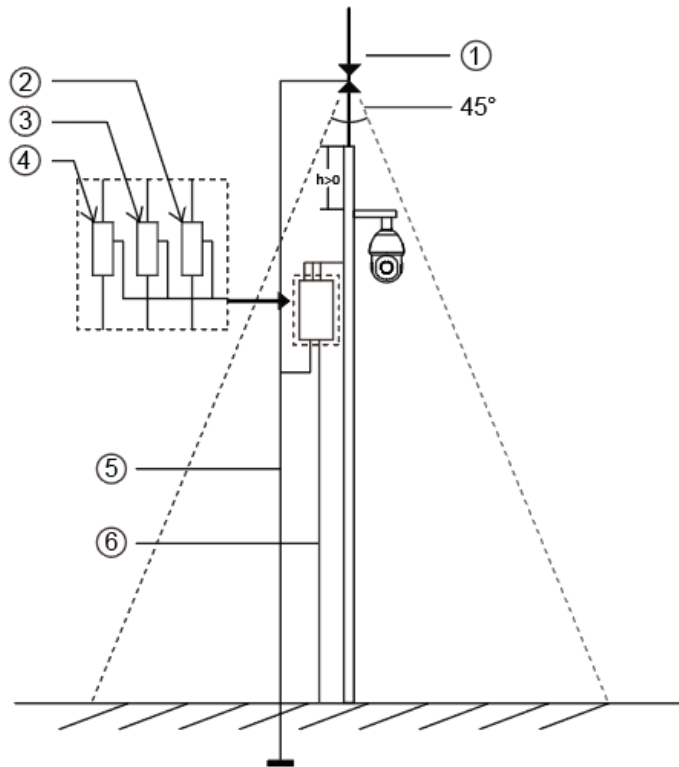
- Step1: Get the network cable through the screw nut, rubber ring and the screw bolt;
- Step2: Insert the rubber ring into the screw bolt;
- Step3: Connect the screw nut to the screw bolt;
- Step4: Place the O-Ring on the network port connector;
- Step5: Connect the RJ45 to the network port connector; tighten the screw bolt and the connector.

Note:

Please tightly wrap all cable-out interfaces with adhesive tape at last to prevent them from water.

8. Recommended method of outdoor installation

The picture below shows an example of outdoor installation:



The devices represented by numbers in the picture are explained as follows:

- ① Lightning rod
- ② Video surge arrester
- ③ Telecommunication surge arrester
- ④ Power surge arrester
- ⑤ Grounding conductor (resistance no more than 4 ohms)
- ⑥ Steel tube protector

Here are some notes for outdoor installation:

- 1) Never use the overhead line in open area.
- 2) Set the line under eave.
- 3) The signal line is at least 50 meters away from the high voltage.
- 4) Attach a lightning rod to the top of the pole on which the camera is going to be mounted.
- 5) Make sure that your camera is not at the top of the pole and must be installed within the lightning rod below 45 degrees.
- 6) Make sure that system adopts equipotential grounding.

9. Hardware Reset

Step1: Press the reset button and hold on, then power on the network camera and the IR LEDs will begin to twinkle;

Step2: Loosen the reset button, then the camera begins to reset;

Step4: It will take 1~3 minutes to complete the reset and the IP will turn into 192.168.1.126 (If the IP does not change, please try again from step 1.);

10. Accessing the SATATYA Network Camera

The camera must be assigned an IP address to be accessible.

10.1 Assigning an IP Address

The Network Camera must be assigned an IP address to be accessible. The default IP address of SATATYA Network Camera is **192.168.1.126**.

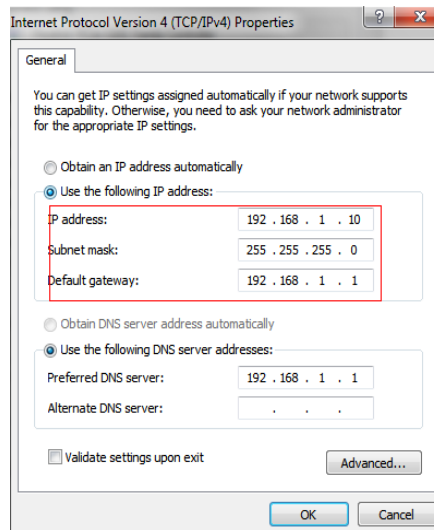
You can either change the IP address of the camera via browser. Please connect the camera in the same LAN of your computer.

10.1.2 Assign an IP Address via Browser

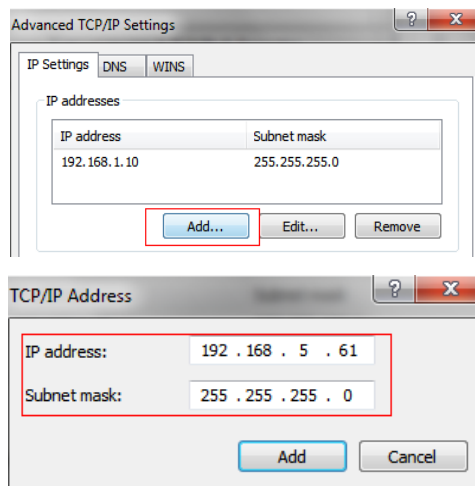
If the network segment of the computer and that of the camera are different, please follow the steps to change the IP address:

Step1: Change the IP address of computer, here are two ways as below:

- a. Start → Control Panel → Network and Internet Connection → Network Connection → Local Area Connection, and double click it.

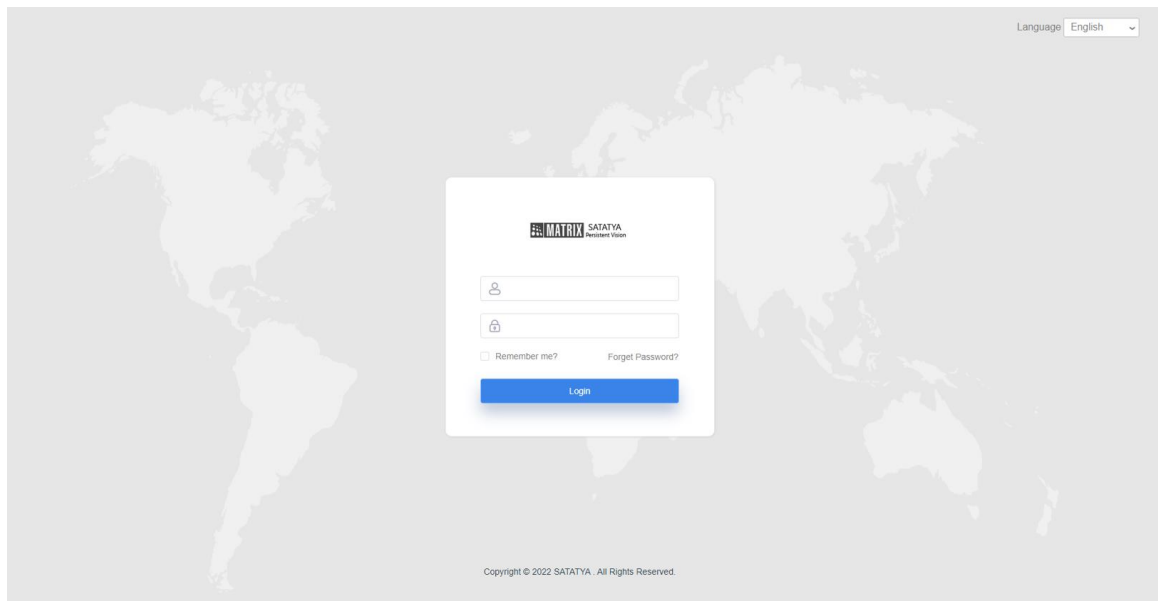


- b. Click “Advanced”, and then click “IP settings” → “IP address” → “Add”. In the pop-up window, enter an IP address that in the same segment with SATATYA network camera (e.g. 192.168.1.126, but please note that this IP address shall not conflict with the IP address on the existing network);



Step2: Open the browser. In the address bar, enter the default IP address of the camera:
<http://192.168.1.126>;

Step3: Enter the user name and password when the LOGIN page appears;
(Default user name: admin; Default password: admin)



Note:

- (1) Password must be 8 to 32 characters long, contain at least one number and one letter.
- (2) You can click the "forget password" in login page to reset the password by answering three security questions when you forget the password, if you set the security questions in advance.

Step4: After login, please click “Configuration” → “Basic Settings” → “Network” → “TCP/IP”. The Network Settings page appears .

Step5: Change the IP address or other network values. Then click “Save” button;

Step6: The process of changing the default IP address is completed.

10.2 Accessing from the Web Browser

The camera can be used with the most standard operating systems and browsers. The recommended browsers are Internet Explorer, Firefox, Chrome, Safari.

10.2.1 Access over IE Browser

Before using the browser to get access to your camera, you need to install the MsActiveX first. You can refer the steps given below:

Step1: Open the IE browser and enter the IP address of the camera: <http://192.168.1.126>;

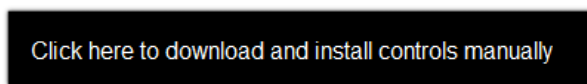
Step2: Enter the user name and password when the LOGIN page appears;
(Default user name: admin; Default password: admin)

Note:

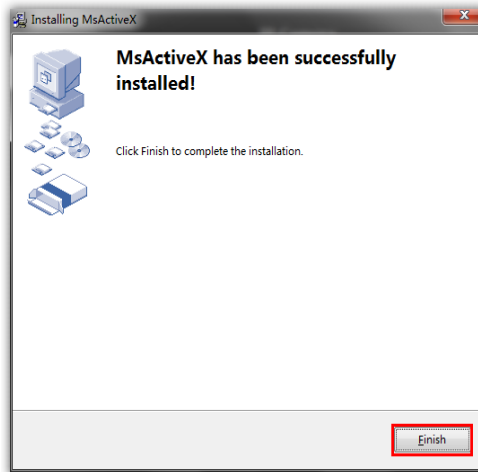
(1)Password must be 8 to 32 characters long, contain at least one number and one letter.

(2)You can click the “forget password” in login page to reset the password by answering three security questions when you forget the password, if you set the security questions in advance.

Step3: At the first time to log in the device, the browser will prompt to install Controls, please click “Click here to download and install controls manually” as shown below;



Step4: Follow the prompts to install the Controls, when it's finished, it will pop out a window as below. Please click "Finish" and refresh the browser, then you will see the video.



If IE9 or higher version browser is used, it is suggested that the SATATYA camera web link should be added as a trusted site. Refer to the instructions given below:

Step1: Start the IE9 or higher version browser, and select "Tools" → "Internet Options";

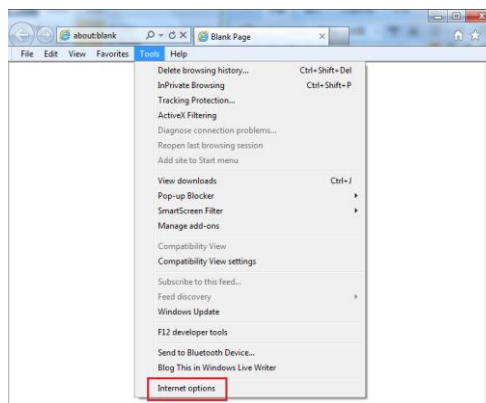


Figure8-14

Step2: Select "Security" to "Trusted";



Figure 8-15

Step3: Enter the IP address of the camera in the blank and click “Add”;

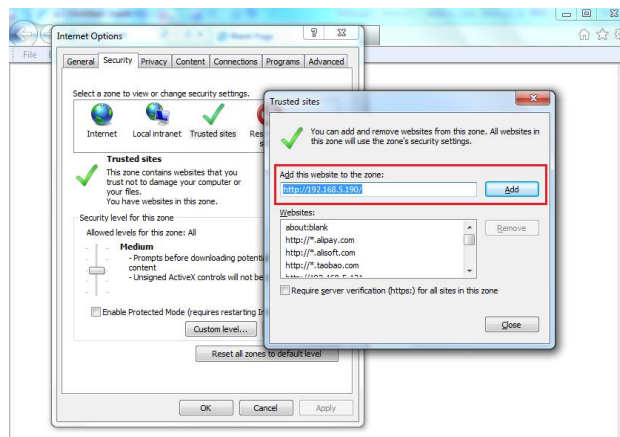


Figure 8-16

Step4: Enter the IP address. After logging on Network Camera’s web GUI successfully, user is allowed to view live video as follows.

11. Technical Specification

SATATYA PZCR50ML42CWP		
General	Image Sensor	1/2.8" CMOS
	Min. Illumination	Color: 0.005Lux@F1.2 Color: 0.008Lux@F1.8 B/W: 0Lux with IR on
	WDR	120dB Super WDR
	Shutter Time	1/100000s~1s
	Digital Zoom	16X
	Day/Night Mode	Day/Night/Auto/Customize/Schedule
	S/N	>55dB
Lens	Focal Length	7~300mm, 42X Optical Zoom
	Zoom Speed	Approx 7s (Wide-Tele)
	Field of View	H43°~H2°/D53°~D2° /V33°~V1°
	Focus Control	Auto/Semi-Auto/Manual
	Minimum Working Distance	1200/1500mm (Wide/Tele)
	Aperture	F1.8~F6.5
	Iris Control	Auto
PTZ	Pan Range/Pan Speed	360°endless / Pan Manual Speed: 0.1°~400°/s, Pan Preset Speed: 400°/s
	Tilt Range/Tilt Speed	0°~90°(Auto Flip) / Tilt Manual Speed: 0.1°~320°/s, Tilt Preset Speed: 320°/s
	Proportional Zoom	Support
	Preset Quantity	300
	Patrol	8 Patrols, up to 48 presets each patrol
	Pattern	4 Patterns
	Auto Tracking	Support
	Power Off Memory	Support
Other Function	Auto Scan, Auto Home, Preset Freezing, 3D positioning, PTZ Limits, Initial Position	
IR	IR Distance	Up to 300m
	IR Angle	Auto/Manual
Video	Max. Image Resolution	2592x1944
	Primary Stream	60Hz: 30fps@(2592x1944), 45fps@(2048x1536),60fps@(1920x1080, 1280x960, 1280x720, 704x576) 50Hz: 25fps@(2592x1944), 45fps@(2048x1536),50fps@(1920x1080, 1280x960, 1280x720, 704x576)

	Secondary Stream	60Hz: 30fps@(704x576, 640x480, 640x360, 352x288, 320x240, 320x192, 320x180) 50Hz: 25fps@(704x576, 640x480, 640x360, 352x288, 320x240, 320x192, 320x180)
	Tertiary Stream	60Hz: 30fps@(1920x1080, 1280x720, 704x576, 640x480, 640x360, 320x240, 320x192, 320x180) 50Hz: 25fps@(1920x1080, 1280x720, 704x576, 640x480, 640x360, 320x240, 320x192, 320x180)
	Video Compression	H.265+/H.265(HEVC)/H.264+/H.264/MJPEG
	Video Bit Rate	16Kbps~16Mbps(CBR/VBR Adjustable)
	Privacy Masking	Up to 28 areas(24 mask areas and 4 mosaic areas)
	ROI	Up to 8 areas
	Image Setting	Brightness/Contrast/Saturation/Sharpness
Interface	Ethernet	1*RJ45 10M/100M Ethernet Port
	Audio I/O	1-1
	Alarm I/O	4-2
	RS485	Support
Network	Network Storage	NAS(Support NFS, SMB/CIFS), ANR
	Protocol	IPv4/IPv6, ARP, TCP, UDP, RTCP, RTP, RTSP, RTMP, HTTP, HTTPS, DNS, DDNS, DHCP, FTP, NTP, SMTP, SNMP, UPnP, Bonjour, SIP, PPPoE, VLAN, 802.1x, QoS, IGMP, ICMP, SSL
Audio	Audio Compression	G.711/AAC/G.722/G.726
	Audio Sampling Rate	8/16/32/44.1/48KHz
	Audio Bit Rate	16~256kbps
	Two-way Audio	Support
Intelligent Analytics	Video Analysis	Region Entrance, Region Exiting, Advanced Motion Detection, Tamper Detection, Line Crossing, Loitering, Object Left, Object Removed
	Face Detection	Detect and capture faces, get real-time snapshots
	People Counting & Report	Count the number of people entering or exiting, up to 4 detection areas for regional people counting
System	Storage	Support micro SD/SDHC/SDXC Card Local Storage, up to 256G
	Advanced Function	BLC, HLC, 2D DNR, 3D DNR, Defog, AWB, EIS, IP Address Filtering, AGC, Anti-flicker, Corridor Mode, Deblur, Watermark
	SIP/VoIP Support	Yes, Voice & Video-over-IP
	Event Trigger	Motion Detection, Network Disconnection, External Input, Audio Alarm, etc.

	Event Action	FTP Upload, SMTP Upload, SD Card Record, External Output, SIP Phone, PTZ Motion, HTTP Notification, etc.
	System Compatibility	ONVIF Profile G & Q & S & T, API
General	Working Condition	Temperature: -40°C~60°C / Humidity: 0~90%(Non-condensing)
	Power Supply	PoE (802.3at) / AC 24V/3A±10%
	Power Consumption	12W MAX / 25W MAX (With IR on)
	Weather Proof/Housing	Up to IP66-rated for Weather-resistant Performance / Vandal-proof IK10-rated Metal Housing(Optional)
	Heater	Support
	Surge Protection	6KV
	Dimensions/Weight	Φ205mmX308mm/4Kg
	Warranty	2 Years / 3 Years (Optional)

12.Certifications

The camera has been certified for the following:

- CE
- FCC
- BIS
- IP66

13. Disposal

The product referred is covered by the waste Electrical and Electronic Equipment (WEEE) directive and must be disposed of in a responsible manner.

At the end of product life cycle; batteries, soldered boards, metal components and plastic components must be disposed through recyclers.

If you are unable to dispose-off the products or unable to locate e-waste recyclers, you may return the product



MATRIX COMSEC

Head Office

394-GIDC, Makarpura

Vadodara – 390010, India.

Phone :(+91)18002587747

E-mail: Tech.Support@MatrixComsec.com

www.matrixaccesscontrol.com